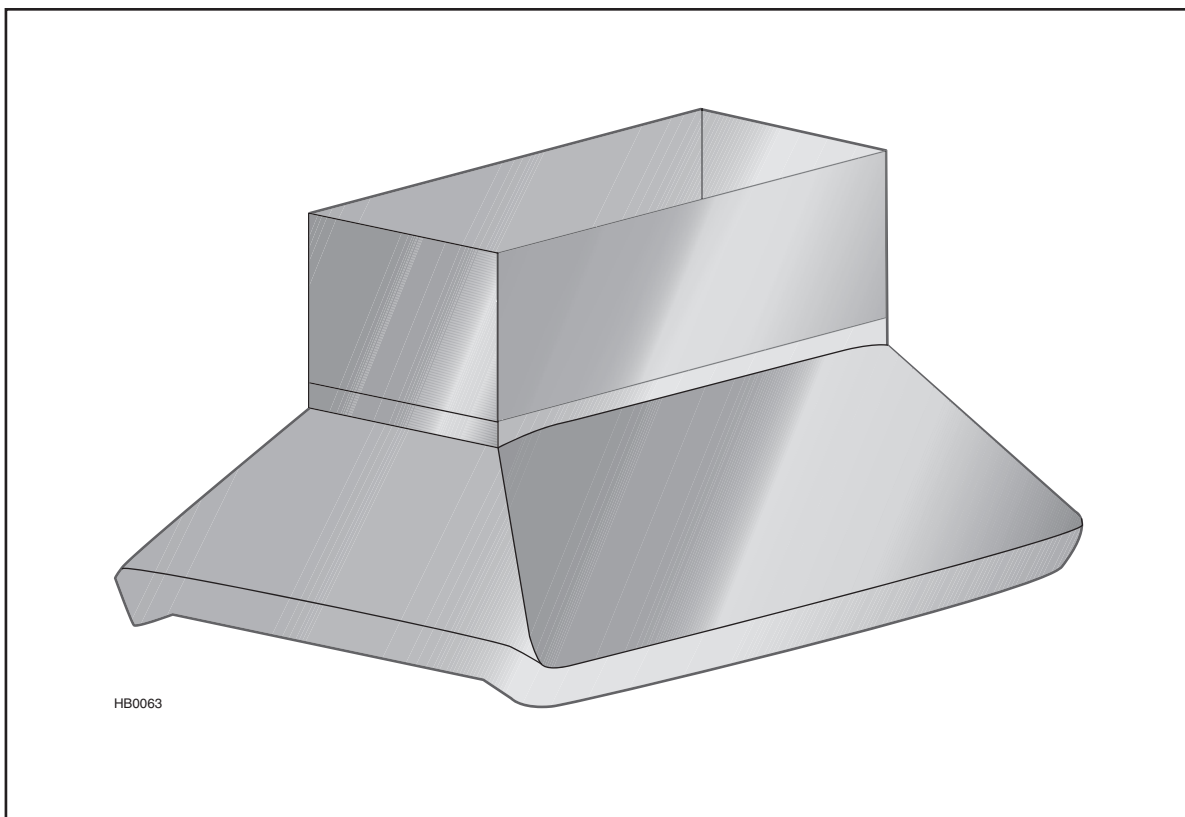


INSTALLATION INSTRUCTIONS

best[®]
by **BROAN**[®]



IP29M SERIES

⚠ INTENDED FOR DOMESTIC COOKING ONLY ⚠

READ AND SAVE THESE INSTRUCTIONS

INSTALLER: LEAVE THIS MANUAL WITH HOMEOWNER.
HOMEOWNER: USE AND CARE AND OPERATION INFORMATION ON
PAGES 12 TO 14.

In USA - BEST[®] P.O. Box 140, Hartford, WI 53027

In Canada - BEST[®] 550 Lemire Blvd., Drummondville, QC, J2C 7W9

REGISTER YOUR PRODUCT ON LINE AT: www.bestranghoods.com/register
For additional information — visit www.bestranghoods.com

V08072 rev. A

WARNING

TO REDUCE THE RISK OF FIRE, ELECTRIC SHOCK OR INJURY TO PERSONS, OBSERVE THE FOLLOWING:

1. Use this unit only in the manner intended by the manufacturer. If you have questions, contact the manufacturer at the address or telephone number listed in the warranty.
2. Before servicing or cleaning unit, switch power off at service panel and lock service disconnecting means to prevent power from being switched on accidentally. When the service disconnecting means cannot be locked, securely fasten a prominent warning device, such as a tag, to the service panel.
3. Installation work and electrical wiring must be done by qualified personnel in accordance with all applicable codes and standards, including fire-rated construction codes and standards.
4. Sufficient air is needed for proper combustion and exhausting of gases through the flue (chimney) of fuel burning equipment to prevent backdrafting. Follow the heating equipment manufacturer's guidelines and safety standards such as those published by the National Fire Protection Association (NFPA), and the American Society for Heating, Refrigeration and Air Conditioning Engineers (ASHRAE), and the local code authorities.
5. When cutting or drilling into wall or ceiling, do not damage electrical wiring and other hidden utilities.
6. Ducted fans must always be vented to the outdoors.
7. Do not use this unit with any additional solid-state speed control device.
8. To reduce the risk of fire, use only steel ductwork.
9. This unit must be grounded.

TO REDUCE THE RISK OF A RANGE TOP GREASE FIRE:

- a) Never leave surface units unattended at high settings. Boilovers cause smoking and greasy spillovers that may ignite. Heat oils slowly on low or medium settings.
- b) Always turn hood ON when cooking at high heat or when flambeing food (i.e.: Crêpes Suzette, Cherries Jubilee, Peppercorn Beef Flambé).
- c) Clean ventilating fans frequently. Grease should not be allowed to accumulate on fan or filter.
- d) Use proper pan size. Always use cookware appropriate for the size of the surface element.

WARNING

TO REDUCE THE RISK OF INJURY TO PERSONS IN THE EVENT OF A RANGE TOP GREASE FIRE, OBSERVE THE FOLLOWING*:

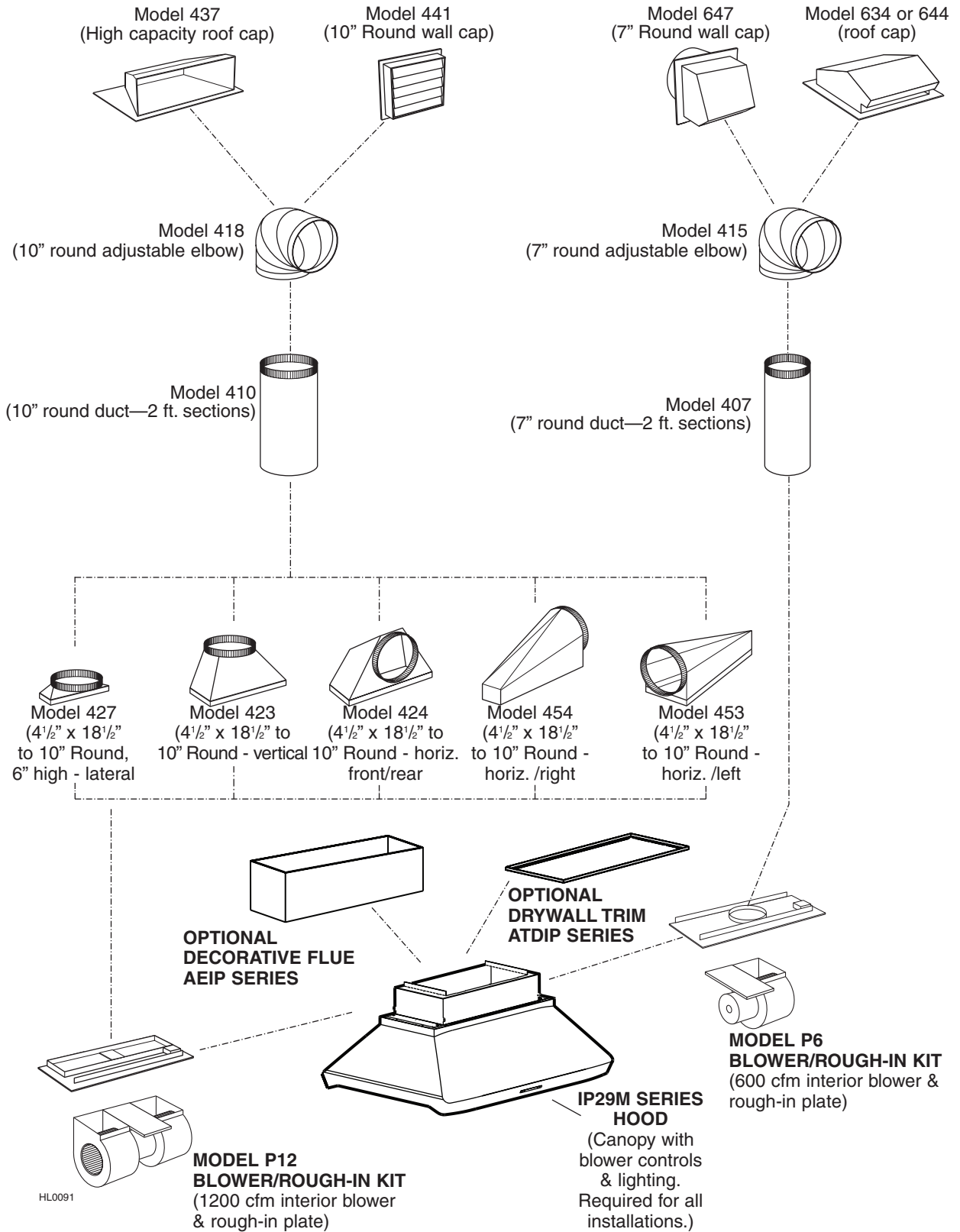
1. SMOTHER FLAMES with a close-fitting lid, cookie sheet or metal tray, then turn off the burner. BE CAREFUL TO PREVENT BURNS. IF THE FLAMES DO NOT GO OUT IMMEDIATELY, EVACUATE AND CALL THE FIRE DEPARTMENT.
2. NEVER PICK UP A FLAMING PAN—You may be burned.
3. DO NOT USE WATER, including wet dishcloths or towels—This could cause a violent steam explosion.
4. Use an extinguisher ONLY if:
 - A. You own a Class ABC extinguisher and you know how to operate it.
 - B. The fire is small and contained in the area where it started.
 - C. The fire department has been called.
 - D. You can fight the fire with your back to an exit.

* Based on "Kitchen Fire Safety Tips" published by NFPA.

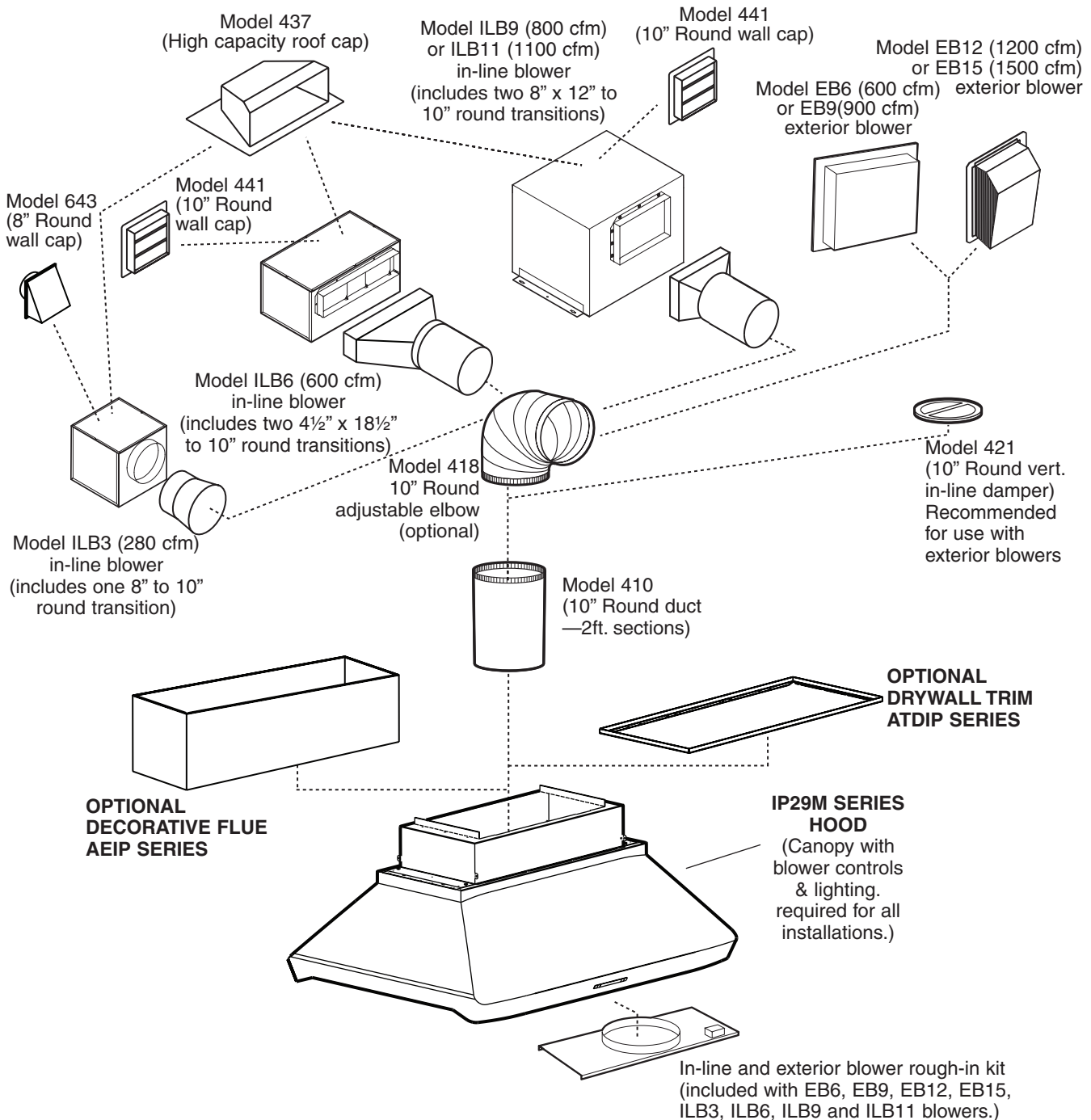
CAUTION

1. For general ventilating use only. Do not use to exhaust hazardous or explosive materials and vapors.
2. To avoid motor bearing damage and noisy and/or unbalanced impellers, keep drywall spray, construction dust, etc. off power unit.
3. Your hood motor has a thermal overload which will automatically shut off the motor if it becomes overheated. The motor will restart when it will be cooled down. If the motor continues to shut off and restart, have the hood serviced.
4. For best capture of cooking impurities, the bottom of the hood should be at a minimum of 30" and at a maximum of 36" above the cooking surface.
5. Two installers are recommended because of the large size and weight of this hood.
6. To reduce the risk of fire and to properly exhaust air, be sure to duct air outside—Do not exhaust air into spaces within walls or ceiling or into attics, crawl space or garage.
7. This product is equipped with a thermostat which may start blower automatically. To reduce the risk of injury and to prevent power from being switched on accidentally, switch power off at service panel and lock or tag service panel.
8. To reduce the risk of fire and electric shock, the Best by Broan IP29M Series hood must be installed with Best by Broan interior blower models P6 or P12; Best by Broan exterior blower models EB6, EB9, EB12 or EB15; Best by Broan in-line blowers models ILB3, ILB6, ILB9, ILB11. Other blowers cannot be substituted. (Blowers sold separately.)
9. Please read specification label on product for further information and requirements.

- IP29M SERIES RANGE HOOD SYSTEM - INTERIOR BLOWERS



- IP29M SERIES RANGE HOOD SYSTEM - IN-LINE AND EXTERIOR BLOWERS



HL0090

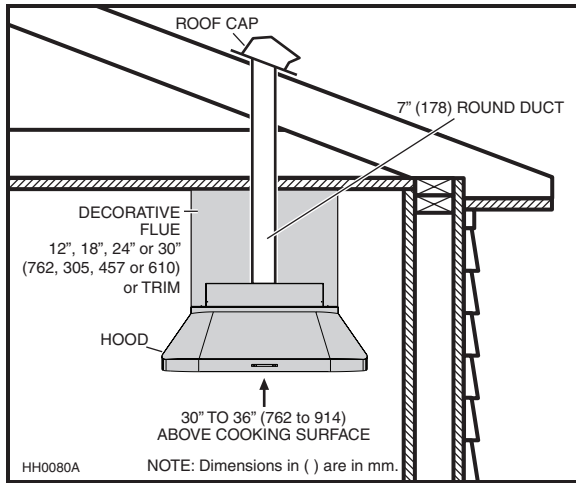
1. SELECT BLOWER OPTION AND INSTALLATION TYPE

Either an interior or an exterior blower or in-line blower may be used with this hood. The Best by Broan IP29M Series must be installed with blower models P6, P12, ILB3, ILB6, ILB9, ILB11, EB6, EB9, EB12 or EB15 only. Other blowers cannot be substituted. (Blowers sold separately.)

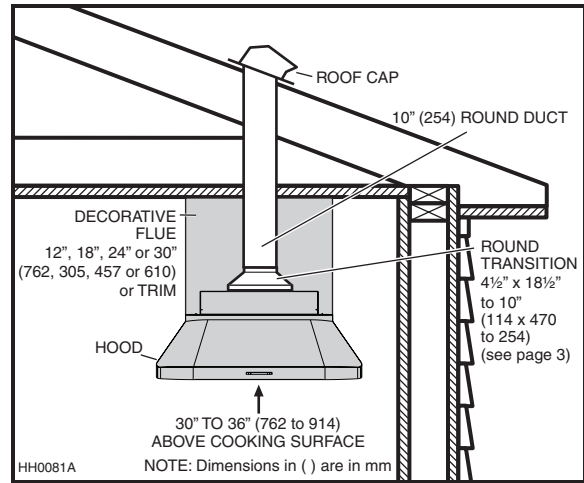
Plan where and how the ductwork will be installed.

If installing in-line blower, refer to instructions packed with in-line blower and follow steps 1 up to 9, 11 to 15, 17 and up of this manual.

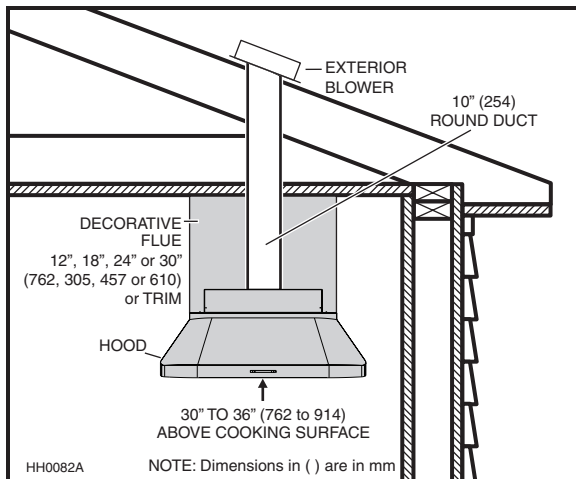
Install proper-sized ductwork, elbows and roof or wall cap for the type of blower you are installing. Use metal duct tape to seal duct joints.



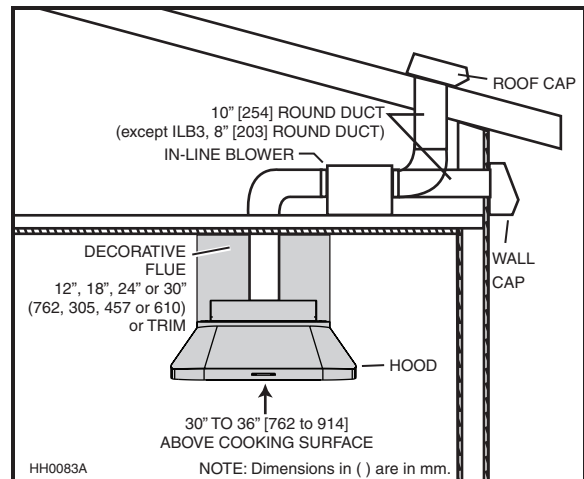
**MODEL P6 SINGLE INTERIOR BLOWER
TYPICAL DUCTWORK**



**MODEL P12 DUAL INTERIOR BLOWER
TYPICAL DUCTWORK**



**MODEL EB6, EB9, EB12 OR EB15
EXTERIOR BLOWER TYPICAL DUCTWORK**



**MODEL ILB3, ILB6, ILB9 OR ILB11
IN-LINE BLOWER TYPICAL DUCTWORK**

2. MEASURE INSTALLATION

Dimensions for the most common installation are shown beside.

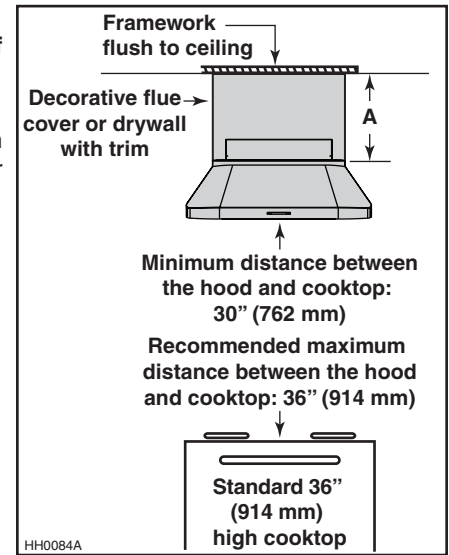
The minimum hood distance above cooktop must not be less than 30". A maximum of 36" above cooktop is highly recommended for best capture of cooking impurities.

Distances over 36" are at the installer and users discretion.

Since framework must be flush to ceiling, 4 decorative flue covers have been created to fit both hood widths and different ceiling heights. Refer to table below to choose the model that fits your needs.

DECORATIVE FLUE COVER			8' CEILING DISTANCE FROM COOKTOP		9' CEILING DISTANCE FROM COOKTOP	
MODEL	A (HEIGHT)	WIDTH	30"	36"	30"	36"
AEIP422	12"	42"		X		
AEIP542	12"	54"		X		
AEIP428	18"	42"	X			
AEIP548	18"	54"	X			
AEIP424	24"	42"				X
AEIP544	24"	54"				X
AEIP420	30"	42"			X	
AEIP540	30"	54"			X	

NOTE: For ceilings over 9', decorative flues are not available.



**MINIMUM AND MAXIMUM DISTANCE
OVER COOKTOP**

If a drywall box will be built instead of installing decorative flue cover, use drywall trim to hide hood and drywall junction. Refer to table below to find the appropriate model for your hood width.

MODEL	WIDTH
ATDIP42	42"
ATDIP54	54"

3. PREPARE THE INSTALLATION

CAUTION

When performing installation, servicing or cleaning the unit, it is recommended to wear safety glasses and gloves.

Remove the installation kit from inside the hood.

Make sure that the following items are included:

- Installation manual
- Accessories including:
 - 3 Evolutionary™ hybrid baffle filters
 - Shielded halogen lights (GU10 type base, 120 V, 50 W) (6 for 42" width hoods, 8 for 54" width hoods)
 - Bag of parts including:
 - (10) steel wood screws no. 10 x 1.5", (10) steel washer no. 10, (6) screws no. 8 x 3/8" (additional screws provided)

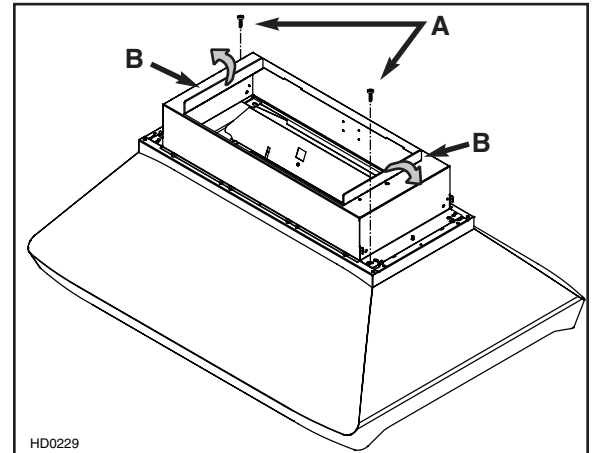
Parts sold separately:

- Interior blower Model P6 (includes rough-in kit).
- Interior blower Model P12 (includes rough-in kit).
- In-line blower assembly ILB3, ILB6, ILB9 or ILB11 (all include transition and rough-in plate)
- Exterior blower assembly EB6, EB9, EB12 or EB15 (all include rough-in plate).
- Transitions, duct, elbows, dampers, wall and roof caps. Refer to pages 3 and 4 for a complete list of venting options and model numbers.
- Optional decorative flue cover AEIWP Series, 12", 18", 24" or 30" height and 42" or 54" width.
- Optional dry wall trim ATDIP Series, 42" or 54" width.

4. PREPARE THE BLOWER HOUSING

Detach the blower housing from the hood by removing its both retaining screws (A). Keep the screws for further use.

Fold up its both flanges (B). The flanges must be perpendicular to the top of the blower housing.

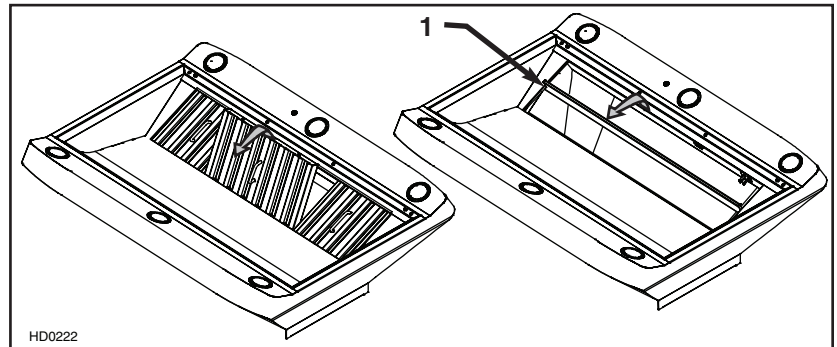


5. REMOVE THE FILTERS AND THE GREASE DRIP RAIL

A. Remove tape on filters. Remove filters from hood and set aside.

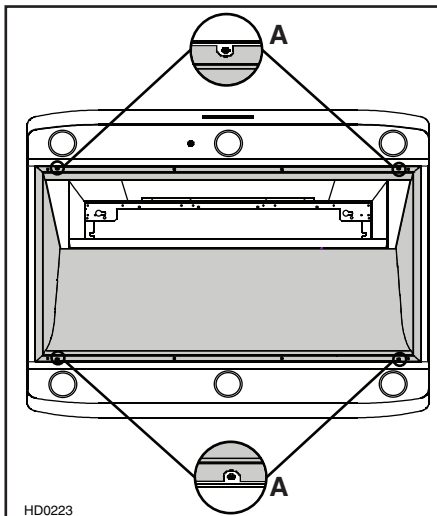
NOTE: It is recommended to start with the central one.

B. Remove tape on grease drip rail (1). Lift out grease drip rail and set aside.

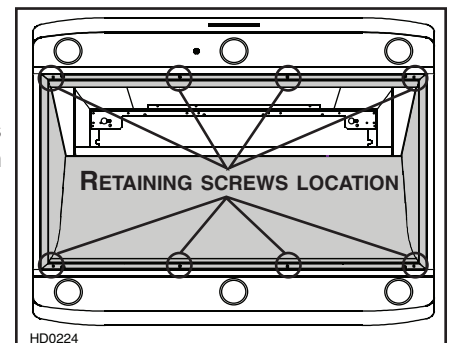


6. REMOVE THE PAN

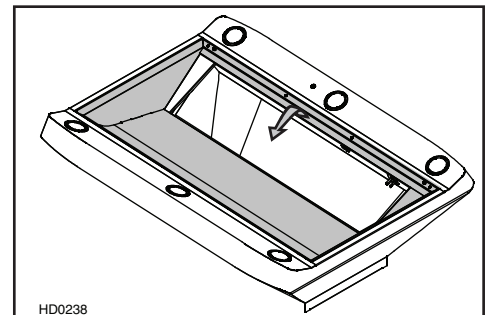
NOTE: Do not remove the 4 screws located on the notched parts of the pan (A on figure below).



Using a Phillips no. 2, remove 8 screws retaining the pan (shaded part on illustration beside) to the hood.



Remove the pan and set aside.



7. BUILD THE FRAMEWORK

⚠ WARNING

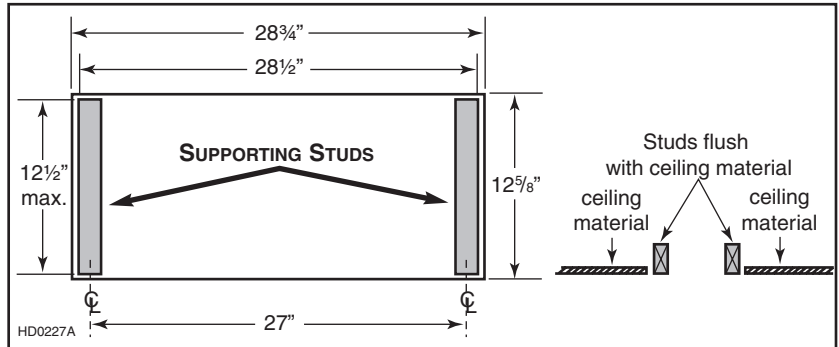
When building framework, always follow all applicable construction codes and standards.

The framework must be sized to support the total weight of the hood. Refer to the table below for total weight of the hood, according to the type of blower chosen.

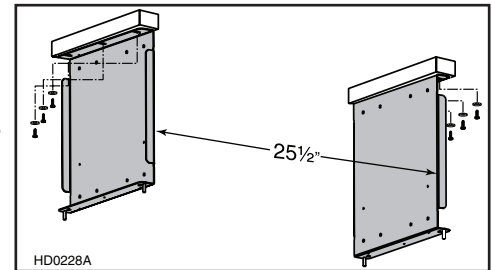
HOOD WIDTH	WITH P6 INTERIOR BLOWER	WITH P12 INTERIOR BLOWER	WITH IN-LINE OR EXT. BLOWERS (ROUGH-IN PLATE ONLY)
42"	71 LB	84 LB	52 LB
54"	86 LB	99 LB	67 LB

7.1 SUGGESTED FRAMEWORK FOR INSTALLATION WITH DECORATIVE FLUE COVER AEIWP SERIES

In the ceiling material, cut-out a 28¾" x 12½" max. opening over the installation location. Install two supporting studs inside the cut-out at dimensions shown beside.



Using provided wood screws no. 10 x 1.5" and washers, assemble both mounting brackets (included with the optional decorative flue cover) to the framework. See illustration beside.

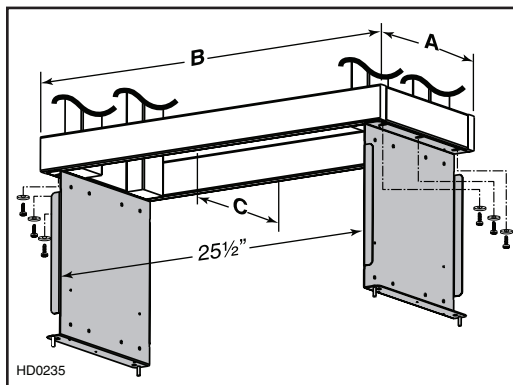


7.2 SUGGESTED FRAMEWORK FOR INSTALLATION WITH DRYWALL TRIM ATDIP SERIES

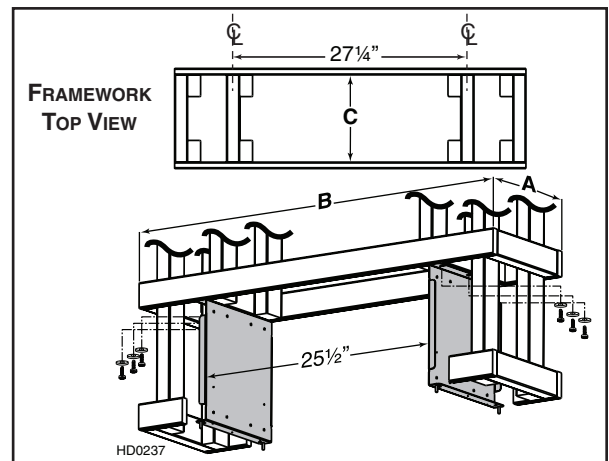
Below is the suggested framework for both 42" and 54" width hoods to be installed with drywall trim ATDIP Series. Refer to the table and illustrations below for the dimensions according to the hood width. Using provided wood screws no. 10 x 1.5" and washers, assemble both mounting brackets (included with the optional drywall trim) to the framework.

HOOD WIDTH	A WITH 5/8" DRYWALL	A WITH 1/2" DRYWALL	B WITH 5/8" DRYWALL	B WITH 1/2" DRYWALL	C
42"	11 5/8"	11 7/8"	28 5/8"	28 7/8"	10" MINIMUM
54"	11 5/8"	11 7/8"	40 5/8"	40 7/8"	10" MINIMUM

FRAMEWORK 42" HOOD



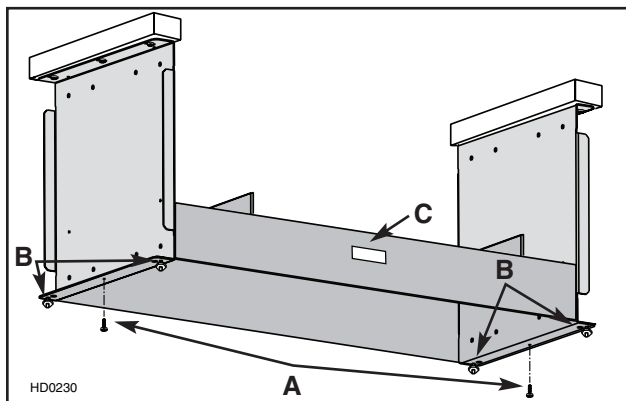
FRAMEWORK 54" HOOD



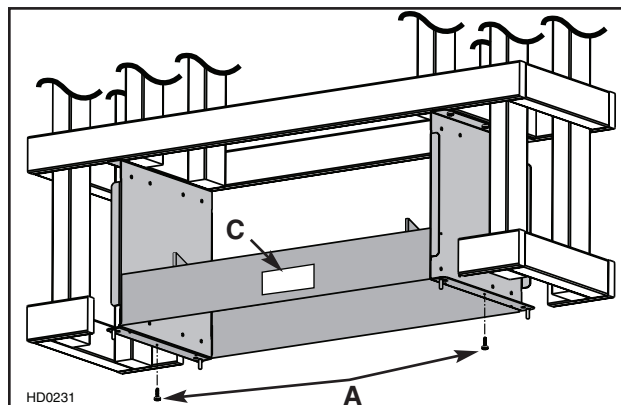
8. INSTALL BLOWER HOUSING

Use both screws (A) previously removed in step 4 to assemble the blower housing to the mounting brackets. For installation with decorative flue cover AEIWP Series only, place 4 nuts (B) (from flue cover parts bag) on the pem studs, leaving 1/4" for the hood installation. The blower housing must be installed in such a way that its label (C) will be on the same side as the hood control side. See illustrations below.

INSTALLATION WITH
DECORATIVE FLUE COVER AEIWP SERIES

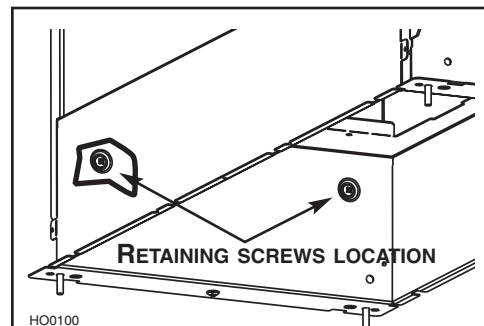


INSTALLATION WITH
DRY WALL TRIM ATDIP SERIES



9. SECURE BLOWER HOUSING TO BRACKETS

From the inside, secure the blower housing to mounting brackets, using 2 no. 8 x 3/8" screws per side. Screws must be installed in embossed sections, see details beside.

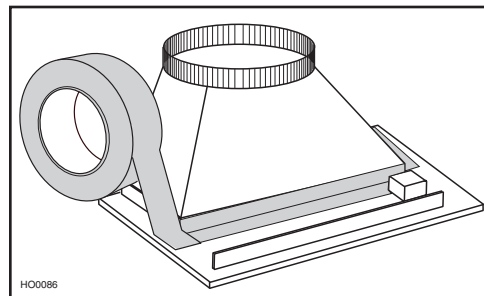


10. INSTALL TRANSITION TO ROUGH-IN PLATE (INTERIOR BLOWER ONLY)

Model 423, 424, 427 453, or 454

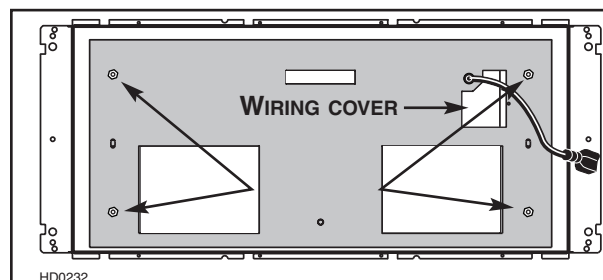
Attach transition (if required) to blower rough-in plate. Use metal duct tape to make all joints secure and air-tight.

NOTE: Model P6 blower plate connects directly to 7" round ductwork without a transition.



11. INSTALL THE ROUGH-IN PLATE IN THE BLOWER HOUSING

Run power cable to installation location. Refer to the instructions included with the selected blower/rough-in kit (sold separately) for details on installing the rough-in plate. Install the rough-in plate so that the wiring box is located on the right side when facing the hood, as specified on the blower housing label. Connect transition or rough-in plate to ductwork. Use metal duct tape to make all joints secure and air-tight.



12.CONNECT THE WIRING

WARNING

Risk of electrical shock. Electrical wiring must be done by qualified personnel in accordance with all applicable codes and standards. Before connecting wires, switch power off at service panel and lock service disconnecting means to prevent power to be switched on accidentally.

Remove wiring cover from rough-in plate and set aside.

Connect BLACK to BLACK, WHITE to WHITE and GREEN or bare wire under GREEN ground screw. Reinstall wiring cover.

13.FINISH THE DRYWALL BOX (INSTALLATION WITH DRY WALL TRIM ATDIP SERIES ONLY)

Finish the drywall box. Check fitting with dry wall trim before mounting it to the hood.

14.MOUNT THE DECORATIVE FLUE COVER OR THE DRY WALL TRIM ON THE HOOD

WARNING

The decorative flue cover AEIWP Series and the dry wall trim ATDIP Series may have sharp edges. Be careful when handling and installing these metal parts.

14.1INSTALLATION WITH DECORATIVE FLUE COVER AEIWP SERIES

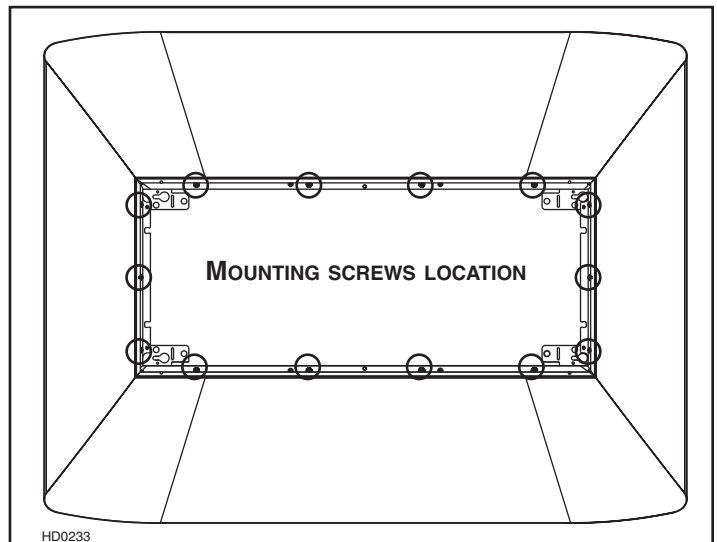
Remove the protective plastic film covering the decorative flue cover AEIWP Series. Assemble the flue cover on top of hood using (14) no. 8 x 3/8" screws (provided with decorative flue cover). See illustration beside to locate mounting screws from top of hood.

NOTE: Ensure edges fit perfectly before tightening completely the mounting screws.

14.2INSTALLATION WITH DRY WALL TRIM ATDIP SERIES

Remove the protective plastic film covering the dry wall trim ATDIP Series. Assemble the dry wall trim on the top of the hood using (14) no. 8 x 3/8" screws (provided with dry wall trim). See illustration beside to locate mounting screws from top of hood.

NOTE: Ensure edges fit perfectly before tightening completely the mounting screws.



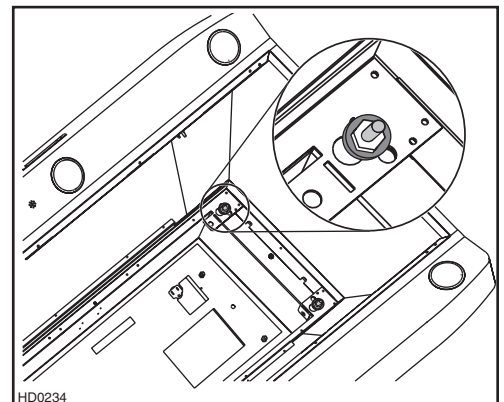
15.INSTALL THE HOOD

15.1 INSTALLATION WITH DECORATIVE FLUE COVER AEIWP SERIES

Assemble the hood assembly to the mounting brackets by aligning keyholes with 4 nuts previously installed in step 8.1 (2 nuts per side). While holding the hood, remove one nut and install a washer (included in parts bag) on each pem stud, then reinstall the nut and tighten it. See illustration beside.

15.2INSTALLATION WITH DRY WALL TRIM ATDIP SERIES

Align hood keyholes with pem studs on brackets. Secure the hood to the brackets using washers and nuts (included in parts bag). See illustration beside.



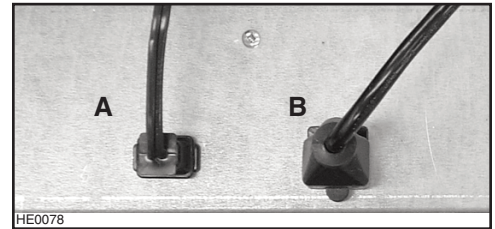
16. INSTALL THE BLOWER (INTERIOR OR EXTERIOR BLOWER)

Refer to instructions included with blower.

Once the blower is installed, plug the blower cord (A) into the female receptacle and the power supply cord (B) onto the male connector inside the hood.

WARNING

Do not plug the two cords into each other.

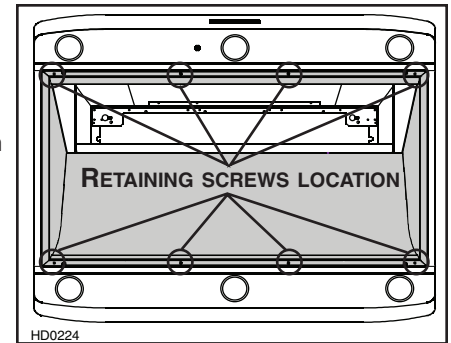


17. REINSTALL THE PAN

CAUTION

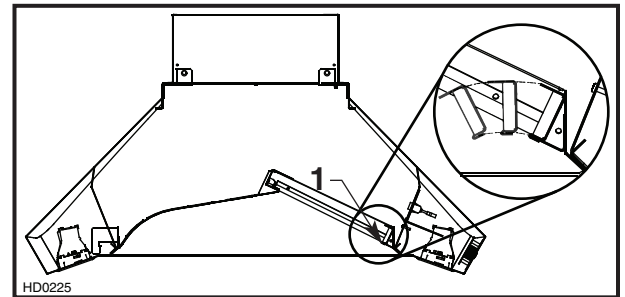
Remove protective plastic film covering pan sides and tape over halogen lamps.

Using a Phillips no. 2 or Robertson no. 2 screwdriver and the retaining screws, reinstall the pan (previously removed in step 6) inside the hood (shaded part on illustration beside).



18. REINSTALL GREASE DRIP RAIL AND BAFFLE FILTERS

Reinstall grease drip rail(s) (1). The illustration beside shows how to reinsert the grease drip rail(s) into the range hood.



CAUTION

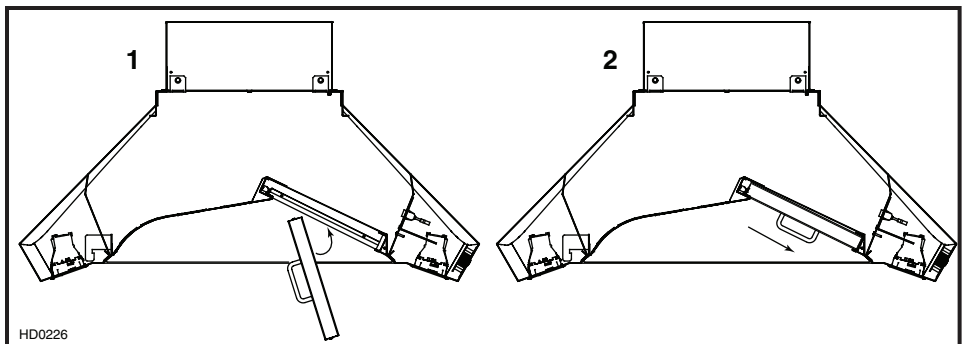
Remove protective plastic film covering Evolutionary™ hybrid baffle filters before installing them.

Reinstall Evolutionary™ hybrid baffle filters on the hood.

It is recommended to install side filters first and finish with center one.

1. Insert one end of Evolutionary™ hybrid baffle filter into the front channel of the hood.
2. Raise the other end toward the inside of hood and insert in the grease drip rail of the hood.

Replacement filters are available from your dealer. See label inside hood for size and part number.



19. LIGHT BULBS REPLACEMENT

WARNING

In order to prevent the risk of personal injury, do not install a lamp identified for use only in enclosed fixtures.

This hood must use 120 V, 50 W, MR16 with GU10 base or PAR16 with GU10 base, shielded halogen lamps (included).

WARNING

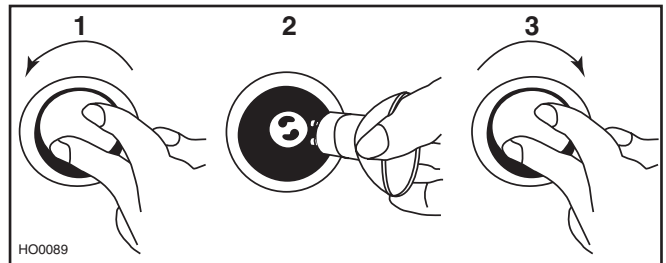
In order to prevent the risk of personal injury, the halogen lamps must be cooled down before removing them.

1. To remove lamps, gently push upwards and turn counterclockwise to disengage bulb leads from their grooves.

NOTE: If need be, use a rubber dishwashing glove to add grip when removing the bulb.

2. Install the new lamps by placing the bulb leads into their grooves in the socket.

3. Gently push upwards and turn clockwise until secure.



20. USE AND CARE

Evolutionary™ Hybrid Baffle Filters

The Evolutionary™ hybrid baffle filters should be cleaned frequently. Use a warm detergent solution. Wash more often if your cooking style generates greater grease—like frying foods or wok cooking.

Remove Evolutionary™ hybrid baffle filters by pushing them towards the back of hood and rotating filters downward. Slide out the secondary micromesh filter from the back of each hybrid baffle filter before cleaning. Baffle filters are dishwasher safe. Clean secondary filters with a warm detergent solution. Allow filters to dry completely before reinstalling them in the hood.

Clean all-metal filters in the dishwasher using a non-phosphate detergent. Discoloration of the filter may occur if using phosphate detergent or as a result of local water conditions—but this will not affect filter performance. This discoloration is not covered by the warranty.

Grease Drip Rail

The grease drip rail should be cleaned frequently. Lift it out from the hood and use a warm detergent solution. As for the baffle filters, wash more often if your cooking style generates greater grease—like frying foods or wok cooking. Allow grease drip rail to dry completely before reinstalling it in the hood.

Blower Cleaning

Remove the filters in order to access the blower. Vacuum blower to clean. Do not immerse in water. Refer to blower instruction manual for more details.

Hood Cleaning

Stainless steel cleaning: How to maintain its “BRIGHT LOOK”

Do:

- Regularly wash with clean cloth or rag soaked with warm water and mild soap or liquid dish detergent.
- Always clean in the direction of original polish lines.
- Always rinse well with clear water (2 or 3 times) after cleaning. Wipe dry completely.
- You may also use a specialized household stainless steel cleaner.

Don't:

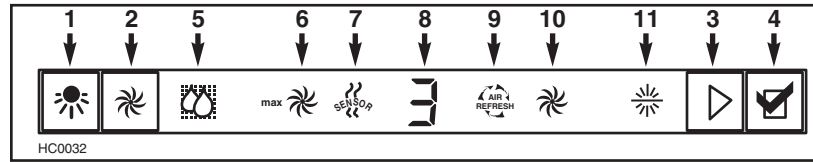
- Do not use any steel or stainless steel wool or any other scrapers to remove stubborn dirt.
- Do not use any harsh or abrasive cleansers.
- Do not allow dirt to accumulate.
- Do not let plaster dust or any other construction residues reach the hood. During construction/renovation, cover the hood to make sure no dust sticks to stainless steel surface.

Avoid: When choosing a detergent

- Any cleaners that contain **bleach** will attack stainless steel.
- Any products containing: **chloride, fluoride, iodide, bromide** will deteriorate surfaces rapidly.
- Any combustible products used for cleaning such as **acetone, alcohol, ether, benzol**, etc., are highly explosive and should never be used close to a range.

21. OPERATION

Always turn ON your hood before you begin cooking in order to establish an air flow in the kitchen. Let the blower run for a few minutes to clear the air after you turn off the range. This will help keep the whole kitchen cleaner and brighter.



- | | |
|---|---|
| 1. Halogen light push-button
INSTEON™ Master Link Mode push-button | 6. Maximum blower speed icon |
| 2. Blower push-button | 7. Particulates sensor icon |
| 3. Enable/Disable functions push-button/
INSTEON™ Erase Link push-button | 8. Blower speed level/
INSTEON™ state icon |
| 4. Grease filter reset push-button/
INSTEON™ Link Mode push-button | 9. Air refresh function icon |
| 5. Grease filters maintenance icon | 10. Blower speed icon |
| | 11. INSTEON™ icon |

Cooktop Lighting (Halogen)

- The halogen lighting is controlled by the light push-button (item 1 on illustration above). Push once to turn ON the lights, and push a second time to turn the lights ON to a brighter level. If the lights are at the highest level, pressing another time will set them to the lowest intensity.
- Press on the push-button and maintain for 1 second to turn Off the lights and set the memorized intensity. When turned on, the halogen bulbs will light cooktop at the previous setting.
- Use 120 V, 50 W, MR16 with GU10 base or PAR16 with GU10 base, shielded halogen lamps (included).

Blower

- The blower is controlled by the blower push-button (item 2 on illustration above). Push once to turn ON the blower, and push a second time to set the blower speed to a higher level. If the blower speed is on maximum level, pressing another time will turn the blower to the lowest speed.
- When power level 1 is activated from OFF, 100% of power level is activated during 0.3 second acting as a “kick-start”.
- Press on the push-button and maintain for 1 second to turn Off the blower and set the memorized speed. When turned ON, the blower will operate at the previous setting.
- When the blower is ON, the speed level is shown by the center icon (item 8 on illustration above) while the icon 10 appears (the speed of the rotational movement is proportional to the blower speed).
- When the blower is on the higher speed, the icon 10 shuts off and the icon 6 appears with “max” (the symbol has a rotational movement).

Functions

Pressing on Enable/Disable functions push-button (item 3 on illustration above) allows to control Particulate Sensor and Air Refresh hood functions.

Particulates Sensor

- To activate the particulate sensor function, press on Enable/Disable functions push-button (item 3 on illustration above), the particulates sensor icon (item 7 on illustration above) will appear.
- When the sensor is activated, the blower turns ON automatically when some particulates, vapors or smokes caused by cooking process, or abnormal gas emissions in the environment are detected. The blower speed is automatically set depending on the particulates amount and the sensibility settings of the particulates sensor. See next paragraph.
- To stop the particulates sensor function, press on Enable/Disable functions push-button until particulates sensor icon turns off.

Particulates sensor sensibility settings

- Press on Enable/Disable functions push-button (item 3 on illustration above) to activate the particulate sensor function, this will light up the particulates sensor icon (item 7 on illustration above). Then, press and maintain for 2 seconds the Enable/Disable functions push-button : the sensor sensitivity level will appear on center icon (item 8 on illustration above).
- Press again on this push-button to change the sensor sensitivity level (from 0 [minimum sensitivity] up to 9 [maximum sensitivity]).
- Press on the grease filter reset push button (item 4 on the illustration above) to confirm (or is confirmed automatically after 5 seconds).

Air Refresh

- To activate the air refresh function, press on Enable/Disable functions push-button (item 3 on illustration above), the air refresh function icon (item 9 on illustration above) will appear.
- To stop the air refresh function, press on Enable/Disable functions push-button until air refresh icon turns off.
- Air refresh function activates only when blower is OFF. When activated, the blower hood recycles the air in the environment in perfect silence, starting every 50 minutes (for 10 minutes, on first speed).

21. OPERATION (CONT'D)

Grease filter reset

- Once the grease filter cleaning is done, press on the grease filter reset push-button (item **4** on control illustration) to reset the filter maintenance timer. This will also shut off the grease filter maintenance icon (item **5** on control illustration).

Grease filter maintenance indicator

- After 30 hours of operation, the grease filter maintenance icon (item **5** on control illustration) appears. This means filters need to be cleaned.
- Once the grease filter cleaning is done, press on grease filter reset push-button to reset the filter maintenance timer.

Interface backlighting

- Off mode (Blower off, Particulates sensor and Air refresh modes disabled): Backlighting is off.
- Halogen lighting activated: does not affect backlighting.
- Blower turns on: Backlighting at maximum intensity.
- Particulates sensor and Air refresh mode activated: Backlighting at maximum intensity.
- Particulates sensor at sensitivity settings and Air refresh in selection mode: Backlighting at minimum intensity.

HEAT SENTRY

This hood is equipped with a HEAT SENTRY thermostat. This thermostat is a device that will start or speed up the blower if it senses excessive heat above the cooking surface.

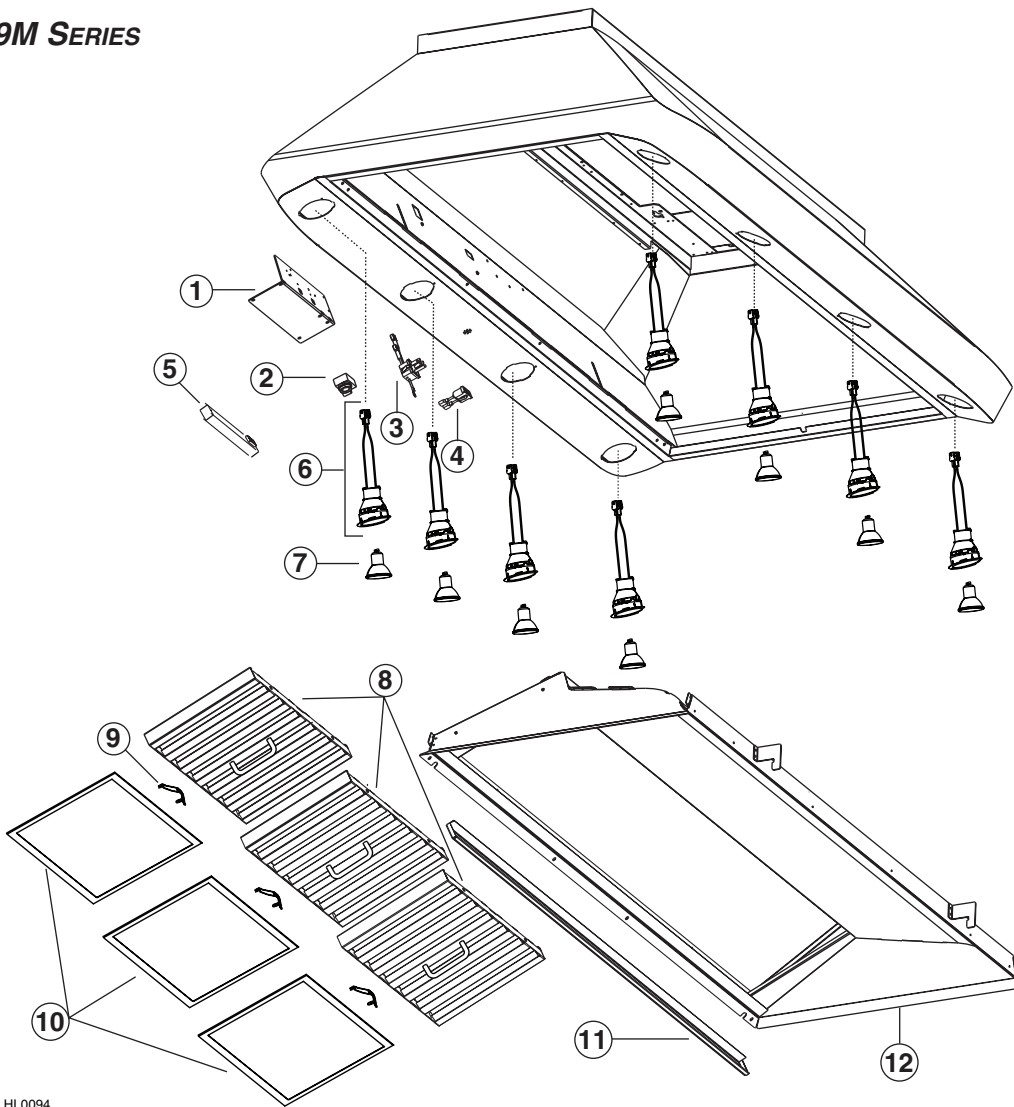
- If blower is OFF—it turns the blower to speed 3 (blower speed icon shows H).
- If blower is ON—it turns the blower up to speed 3 (blower speed icon shows H).
NOTE: When Heat Sentry is activated, Air refresh mode and Particulate sensor are inactivated. Also, communication coming from the INSTEON™ Module is disabled.
- When the temperature level drops to normal, the blower will return to its original setting (blower speed icon will show the original blower speed).
- To turn off the blower when Heat Sentry is activated, press and hold the blower push-button (item **2** on illustration) for more than 1 second.

INSTEON™ Network compatibility

Your IP29M Series range hood can be linked to INSTEON network, if installed in your house. For more details, refer to INSTEON devices instruction sheet.

SERVICE PARTS

IP29M SERIES



HL0094

KEY NO.	PART NUMBER	DESCRIPTION	QTY (HOOD WIDTH)	
			42"	54"
1	V08069	CONTROL PROCESSOR UNIT	1	1
2	V08073	PARTICULATES SENSOR	1	1
3	V13924	MALE CONNECTOR	1	1
4	V13923	FEMALE CONNECTOR	1	1
5	V08074	CONTROL INTERFACE	1	1
6	V16569	LAMP SHELL, SOCKET AND TRIM ASS'Y	4	6
7	V05921	HALOGEN BULBS (50 W, 120 V, PAR16, GU-10)	4	6
8	V16967	EVOLUTIONARY™ HYBRID BAFFLE FILTER 8.95" x 8.61" x 1" (INCL. ITEM 10)	2	-
8	V16968	EVOLUTIONARY™ HYBRID BAFFLE FILTER 14.95" x 8.61" x 1" (INCL. ITEM 10)	1	3
9	V05528	FILTER SPRING CLIP	3	3
10	V07694	SECONDARY MICROMESH FILTER 8.84" x 8.50"	2	-
10	V07695	SECONDARY MICROMESH FILTER 14.84" x 8.50"	1	3
11	V16794	GREASE DRIP RAIL 36"	1	-
11	V16796	GREASE DRIP RAIL 48"	-	1
12	V17448	INSIDE FRAME ASS'Y (42") (INCLUDING ITEM 9)	1	-
12	V17449	INSIDE FRAME ASS'Y (54") (INCLUDING ITEM 9)	-	1
*	V03435	THERMISTOR HEAT SENTRY	1	1
*	V08072	INSTALLATION GUIDE	1	1
*	V08068	PARTS BAG (STEEL WOOD SCREW NO. 10 x 1.5" [10], SCREWS NO. 8 x 3/8" [6], STEEL WASHERS NO. 10 [10])	1	1
*	V05869	BEST BY BROAN LOGO	1	1

* NOT SHOWN.

KEY NO.	PART NUMBER	DESCRIPTION	QTY	
			DECORATIVE FLUE	DRY WALL TRIM
*	V06927	ACCESSORY PARTS BAG (STEEL HEXAGONAL LOCK-NUT [5], SCREWS NO. 8 x 3/8" [14], STEEL WASHERS NO. 10 [10] STEEL WOOD SCREW NO. 10 x 1.5" [10])	1	1

* NOT SHOWN.

WARRANTY

WARRANTY

ONE-YEAR LIMITED WARRANTY

Broan-NuTone LLC ("Broan-NuTone") warrants to the original consumer purchaser of its products that such products will be free from defects in materials or workmanship for a period of one year from the date of original purchase. THERE ARE NO OTHER WARRANTIES, EXPRESS OR IMPLIED, INCLUDING, BUT NOT LIMITED TO, IMPLIED WARRANTIES OF MERCHANTABILITY OR FITNESS FOR A PARTICULAR PURPOSE.

During this one-year period, Broan-NuTone will, at its option, repair or replace, without charge, any product or part which is found to be defective under normal use and service.

THIS WARRANTY DOES NOT EXTEND TO FLUORESCENT LAMP STARTERS, TUBES AND BULBS, FUSES, FILTERS, DUCTS, ROOF CAPS, WALL CAPS AND OTHER ACCESSORIES FOR DUCTING. This warranty does not cover (a) normal maintenance and service or (b) any products or parts which have been subject to misuse, negligence, accident, improper maintenance or repair (other than by Broan-NuTone), faulty installation or installation contrary to recommended installation instructions.

The duration of any implied warranty is limited to the one-year period as specified for the express warranty. Some states or provinces do not allow limitation on how long an implied warranty lasts, so the above limitation may not apply to you.

BROAN-NUTONE'S OBLIGATION TO REPAIR OR REPLACE, AT BROAN-NUTONE'S OPTION, SHALL BE THE PURCHASER'S SOLE AND EXCLUSIVE REMEDY UNDER THIS WARRANTY. BROAN-NUTONE SHALL NOT BE LIABLE FOR INCIDENTAL, CONSEQUENTIAL OR SPECIAL DAMAGES ARISING OUT OF OR IN CONNECTION WITH PRODUCT USE OR PERFORMANCE. Some states or provinces do not allow the exclusion or limitation of incidental or consequential damages, so the above limitation or exclusion may not apply to you.

This warranty gives you specific legal rights, and you may also have other rights, which vary from state to state or province to another. Any modification performed on this product without the authorization of Broan-NuTone will void this warranty. This warranty supersedes all prior warranties.

To qualify for warranty service, you must (a) notify Broan-NuTone at the address or telephone number stated below, (b) give the model number and part identification and (c) describe the nature of any defect in the product or part. At the time of requesting warranty service, you must present evidence of the original purchase date.

In USA: **Best**[®], P.O. Box 140, Hartford, WI 53027 (1-800-637-1453)

In Canada: **Best**[®], 550 Lemire Blvd., Drummondville, QC J2C 7W9 (1-866-737-7770)

www.bestranghoods.com